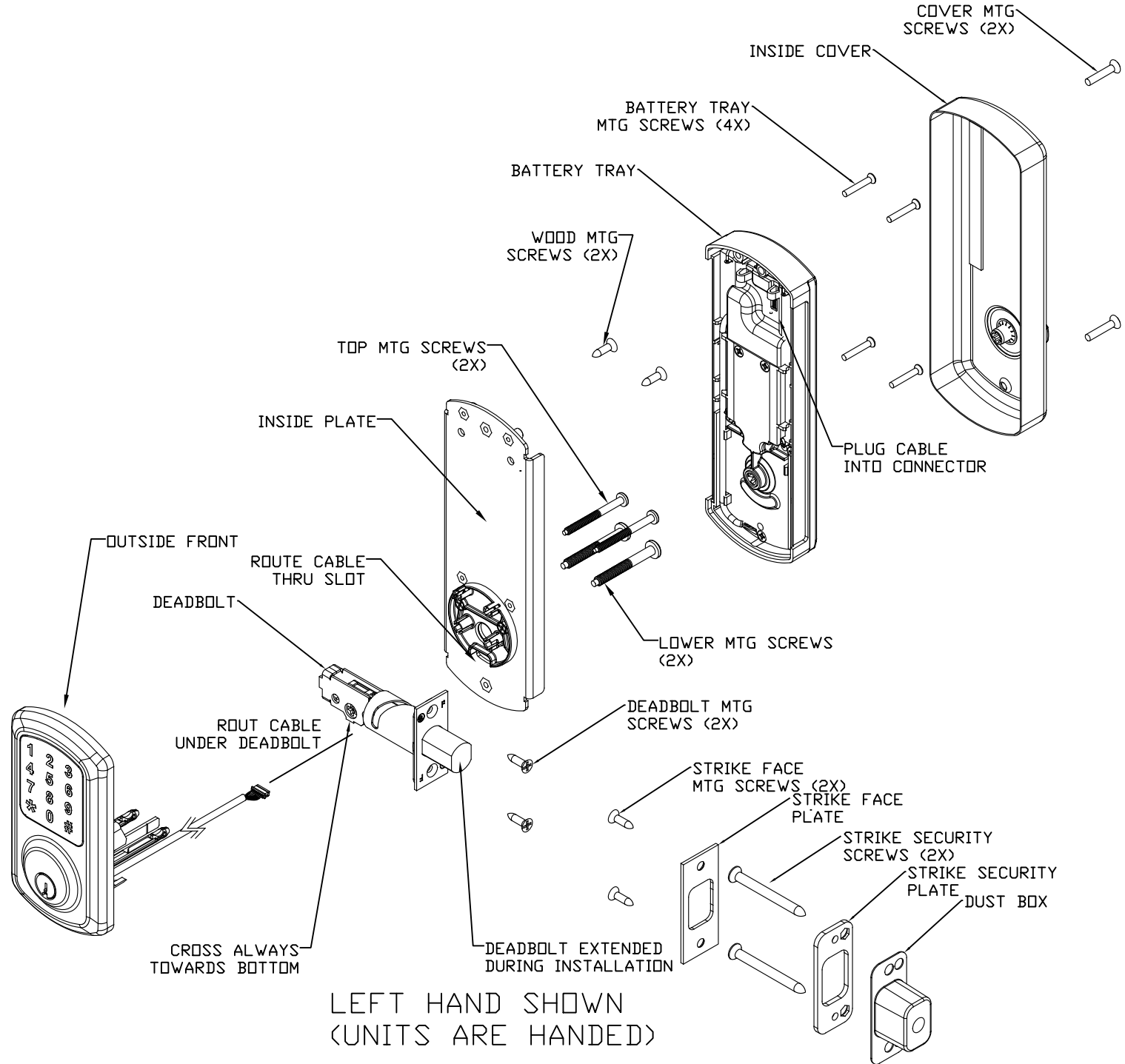


E-SMART INSTALLATION GUIDE (INSTALL WITH DOOR OPEN)

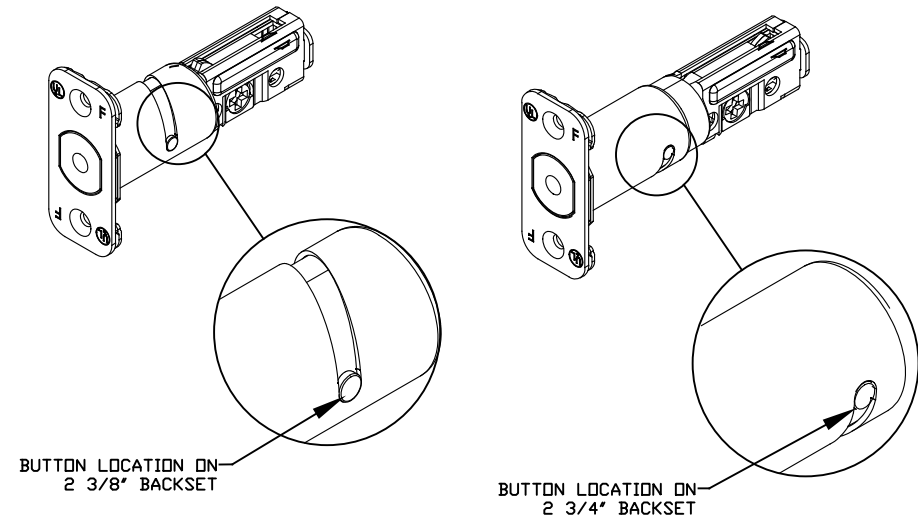


1. PREPARE DOOR CUTOUT PER TEMPLATE. NOTE: DO NOT USE POWER TOOLS TO INSTALL.
2. ADJUST DEADBOLT BACKSET- 2 3/8" or 2 3/4" (SEE DETAIL 1).
3. DEADBOLT TO BE EXTENDED FOR INSTALLATION. INSTALL DEADBOLT AND FACE PLATE AS SHOWN- CROSS TOWARDS BOTTOM. SECURE WITH 2 SCREWS.
4. SET THE TAIL PIECE ON THE OUTSIDE FRONT- HORIZONTAL FOR RH, VERTICAL FOR LH.
5. POSITION OUTSIDE FRONT- TAIL PIECE THRU CROSS ON DEADBOLT AND 2 PLASTIC ALIGNMENT POSTS THRU THE DEADBOLT HOLES. ROUTE THE CABLE UNDER THE DEADBOLT.
6. POSITION THE INSIDE PLATE ON THE OTHER SIDE OF THE DOOR. ROUTE CABLE THRU LOWER SLOT. PLASTIC ALIGNMENT POSTS WILL GO THRU THE HOLE ON EITHER SIDE OF THE TAIL PIECE CLEARANCE HOLE.
7. SCREW IN TOP MTG SCREWS, REMOVE PLASTIC ALIGNMENT POSTS (PULL OUT) AND SCREW IN LOWER MTG SCREWS- ITIGHTEN AFTER ALL 4 SCREWS ARE IN. UPPER WOOD MTG SCREWS GO IN LAST, MAKE SURE THE INSIDE PLATE IS ALIGNED VERTICALLY WHEN YOU INSERT THESE LAST 2 SCREWS.
8. SET HANDING ON BATTERY TRAY-SLOT IS HORIZONTAL FOR RH AND VERTICAL FOR LH (SEE DETAIL 2).
9. PLUG IN CABLE ON BATTERY TRAY. DO NOT PULL OR PINCH CABLE. MAKE SURE CABLE CONNECTOR IS SEATED. ROUT CABLE AS SHOWN IN DETAIL 3.
10. POSITION BATTERY TRAY OVER INSIDE PLATE. PUSH IN THE EXCESS CABLE INTO THE HOLE ON THE DOOR. MAKE SURE TAIL PIECE IS THRU THE SLOT. BATTERY TRAY SHOULD SIT FLUSH WITHOUT INTERFERENCE. SECURE WITH 4 BATTERY TRAY MTG SCREWS. NOTE: DO NOT PINCH CABLE.
11. INSTALL 4 AA ALKALINE BATTERIES TO BATTERY TRAY, LOCK SHOULD BEEP TWICE. SEE PROGRAMMING MANUAL TO SET HANDING BEFORE YOU OPERATE THE LOCK.
12. POSITION INSIDE COVER- MAKE SURE THUMB TURN IS ORIENTED PROPERLY- AND SECURE WITH COVER MTG SCREWS.
13. ADD STRIKE- DUST BOX, SECURITY PLATE, FACE PLATE- DEADBOLT SHOULD ENTER INTO THE STRIKE WITHOUT BINDING OR ANY OBSTRUCTION. ANY FRICTION WITH STRIKE AND DEADBOLT WILL CAUSE AN ISSUE.
14. SEE PROGRAMMING MANUAL AND TEST OPERATION OF THE LOCK BEFORE LOCKING OR SHUTTING THE DOOR.

PAGE 1 of 2	DEADBOLT 2000 INSTALLATION INSTRUCTIONS
DRAWN BY: SC	PART#: DEADBOLT 2000 INSTRUCTIONS
DATE: 3/4/19	PRODIGY SMARTLOCK

DETAIL 1

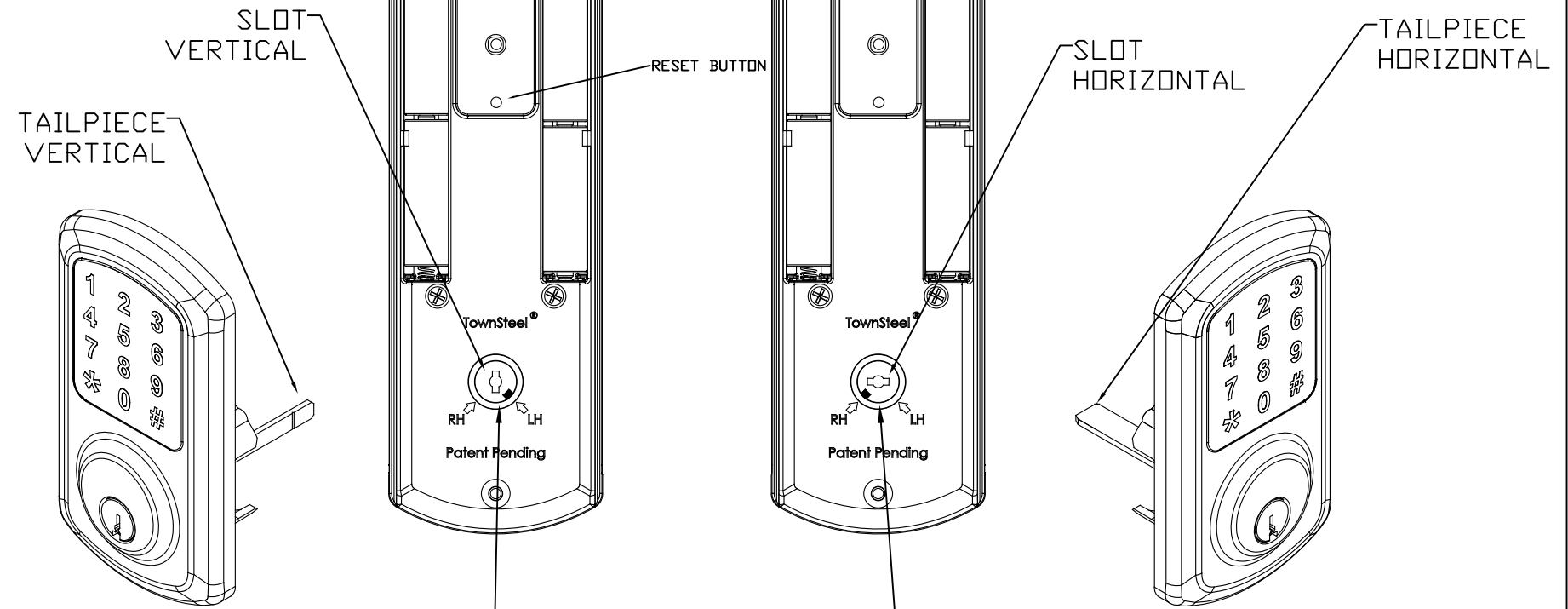
ADJUST THE BACKSET OF THE DEADBOLT BY TWISTING.
(NOTE: DEADBOLT EXTENDED FOR INSTALLATION)



DETAIL 2

HANDING: LEFT HAND

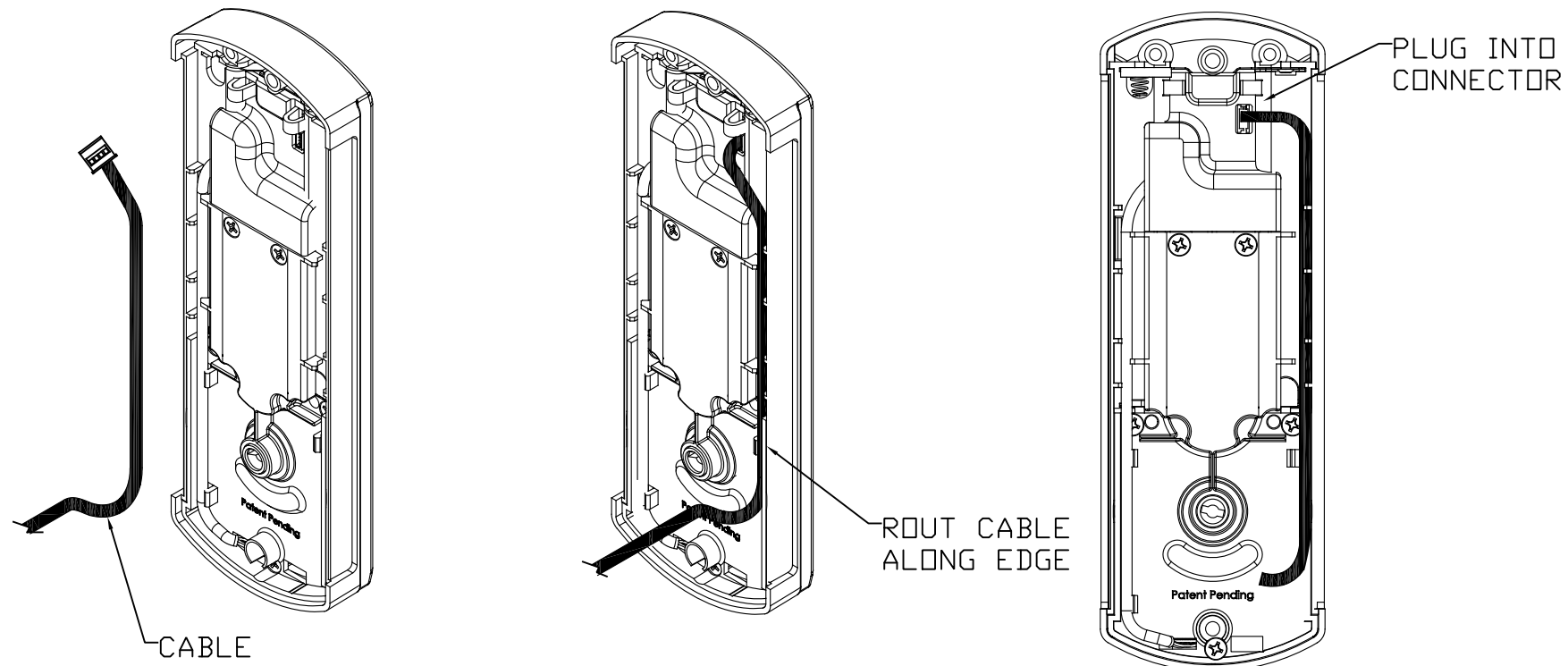
HANDING: RIGHT HAND



TURN SLOT ON BATTERY TRAY TO PROPER HANDING (USE BLADE SCREWDRIVER TO TURN)

DETAIL 3

GUIDE CABLE THRU DOOR CUTOUT. PLUG CABLE CONNECTOR INTO BATTERY TRAY CONNECTOR. ROUT CABLE ALONG EDGE OF THE BATTERY TRAY (BACK SIDE AS SHOWN) AND TUCK CABLE INTO THE SIDE CHANNEL AS SHOWN



PAGE 2 of 2	DEADBOLT 2000 INSTALLATION INSTRUCTIONS.
DRAWN BY: SC	PART#: DEADBOLT 2000 INSTRUCTIONS
DATE: 3/4/19	PRODIGY SMARTLOCK